

Metering Technology



eldomix



Hilger u. Kern / Dopag Group

eldomix 603 for low to medium viscosity media

The eldomiX 603 is a solvent free gear metering and mixing system, used to handle low to medium viscosity multi component media, such as epoxy resins, polyurethanes or silicones. Special configurations to process high viscosity media are also available.

Typical Applications

- Coating
- Sealing
- Gluing
- Encapsulating

Features and benefits

- Modular, flexible construction
- Variable mixing ratio
- Variable output rate
- Shot dispensing or continuous flow
- Solvent free

Equipment

Standard

- Chassis with castors
- Control box and pressure vessel chassis mounted on castors
- Gear pump with over pressure-protection
- Three phase asynchronous motor
- Static mixing system
 - twin snuffer valve
 - disposable static mixer
- Metering computer
- Touch screen terminal

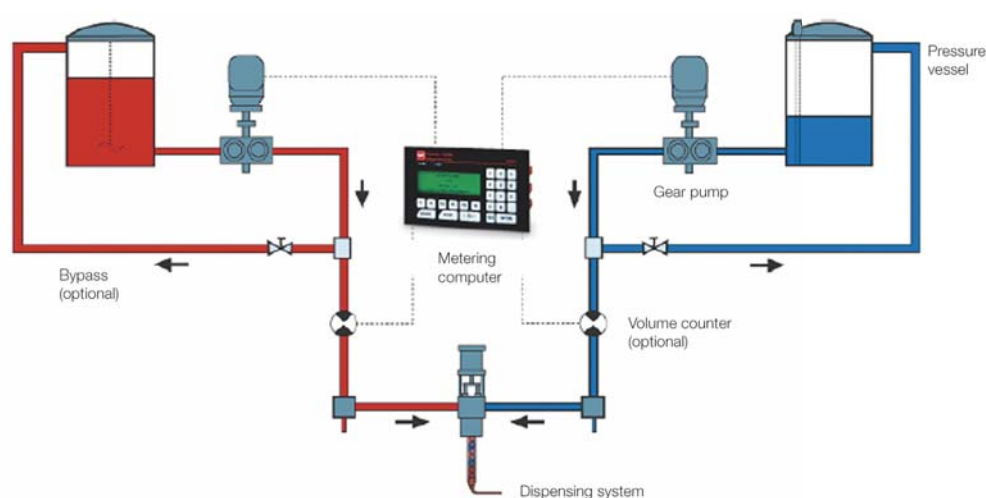
Optional

- Static-dynamic mixing system
 - with mixer element monitoring
- Dynamic mixing system
- Pressure vessel with
 - level control
 - agitator
 - automatical refill
 - connection for vacuum pump
- Material supply by drum pumps
- Controlling or regulation of mixing ratio and output rate through volume counters
- Pump drive through servo motors
- Heating
- Bypass
- Automatic vacuum evacuation

Function

Pressure vessels are used to supply the material into the three phase asynchronous motor driven gear pumps where they are proportioned at the preselected ratio. Each gear pump is protected against over pressure as standard.

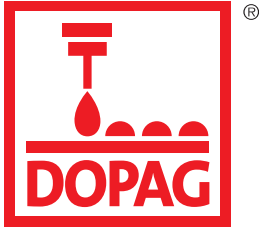
The eldomix is fitted with a metering computer with touch screen terminal and a static mixing system that includes a 2K valve combined with a disposable static mixer. Should mixed material be allowed to cure in the mixer, it can be replaced simply and inexpensively, thus avoiding a time consuming, expensive and environmentally damaging flushing cycle.



Technical Data

Flow rate	2 ml to 10 l/min, depending on mixing ratio and viscosity
Mixing ratio	100:100 to 100:2, by volume
Maximum working pressure	150 bar
Mixing system	Static mixing system - 2K valve - Disposal static mixer
Material supply	Pressure vessels 12, 24, 45, 60 l, larger on demand
Viscosity range	50 to 80,000 mPa s, with pressure vessel over 300,000 mPa s, with drum pumps
Material characteristics	Unfilled, filled, abrasive
Power supply	3 x 400 V / 50 Hz / 16 A
Maximum air inlet pressure	6 bar
Dimensions	1940 x 1200 x 2500 mm
Weight	approx. 600 kg

Hilger u. Kern / Dopag Group



The Hilger u. Kern / Dopag Group, with more than 250 employees, is one of the leading manufacturers of metering and mixing systems in the world for plural component polymers and single component media such as greases, oils and pastes.

Germany

Hilger u. Kern GmbH
Industrietechnik
Käfertaler Straße 253
68167 Mannheim

☎ +49 621 3705-0
📠 +49 621 3705-200
info@hilger-kern.de
www.hilger-kern.com

Switzerland

DOPAG Dosiertechnik
und Pneumatik AG
Langackerstrasse 25
6330 Cham

☎ +41 41 7855-757
📠 +41 41 7855-700
info@dopag.ch
www.dopag.com

For more than 35 years the group, with subsidiaries and distributors in over 30 countries, has developed systems and components to suit your individual needs.

Subsidiaries

France

DOPAG Sarl
contact@dopag.fr

Italy

DOPAG ITALIA S.r.l.
info.it@dopag.com

USA

DOPAG (US) Ltd.
ussales@dopag.com

United Kingdom

DOPAG (UK) Ltd.
uksales@dopag.co.uk

India

DOPAG India Pvt Ltd.
info@dopag.in

China

DOPAG (Shanghai) Metering
Technology Co., Ltd.
office@dopag.cn

Please visit our internet page to find the contact data of your local partner (Sales and Service Organisation).